
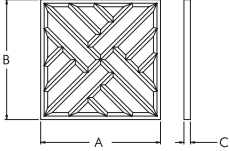

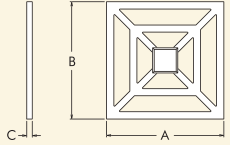


## Decorative Panel

		DIMENSIONS		
Part Number		A	B	C
<b>DP28X28CH</b> Crosshatch	 	27 3/4"	27 3/4"	1 1/2"
<b>DP28X28SQX</b> Square	 	28"	28"	1 5/16"

IMPORTANT: Porch Panels are designed for decorative purpose only. Panels CANNOT be used in a structural rail containment application.

## Quoin Use as a Decorative Corner Block.

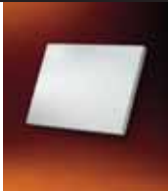
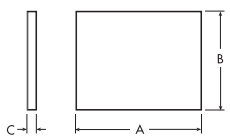

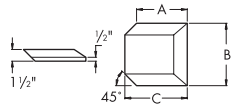

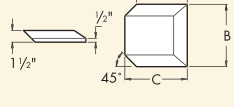

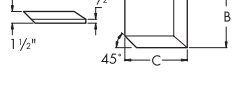

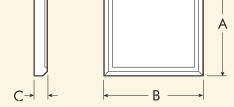

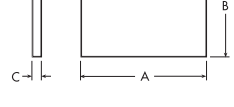

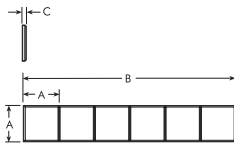
		DIMENSIONS		
Part Number		A	B	C
<b>QN3X5X3</b>	 	3"	5 3/8"	3"
<b>QN6X7</b>		7"	6"	1 1/2"
<b>QN6X8</b>		8"	6"	1 1/2"
<b>QN6X12X6</b>		6"	12"	6"
<b>QN8X12</b>		12"	8"	1 1/2"
<b>QN10X32</b>		32"	10"	1"
<b>QN16X16</b>		16"	16"	1 1/2"
<b>QN16X41</b>		41"	16"	1"

CHART CONTINUED ON FOLLOWING PAGE.


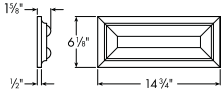
## Quoin (continued)

		DIMENSIONS			
Part Number		A	B	C	
QN8X8X1			6 1/2"	8"	8"
QN10X12X1			10 1/2"	10"	12"
QN10X16X1			14 1/2"	10"	16"
QNR12X12 Recessed Panel			12"	12"	1 1/2"
QN24X32			32"	24"	1 1/2"


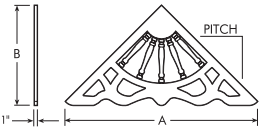
## Six-panel Quoin

		DIMENSIONS			
Part Number		A	B	C	
QN16X96			16"	96"	1 1/2"

## Decorative Panel

		DIMENSIONS		
Part Number		A	B	C
PNL15X6	 	14 3/4"	6 1/8"	1 5/8"

## Gable Pediment

		DIMENSIONS			
Part Number		A	B	Pitch	Thickness
GP60X36	 	60 3/8"	36"	14/12	1"
GP64X32		62"	32 1/4"	12/12	1"
GP80X33		80 1/4"	33 9/16"	10/12	1"
GP81X31		81 1/4"	31 1/4"	9/12	1"
GP88X29		86 3/8"	29 3/8"	8/12	1"
GP96X28		96"	28"	7/12	1"
GP107X22		107 3/8"	22"	5/12	1"
GP110X27		106 7/8"	27 3/8"	6/12	1"