

STAIN GRADE STOCK WOOD COLUMNS

Mahogany

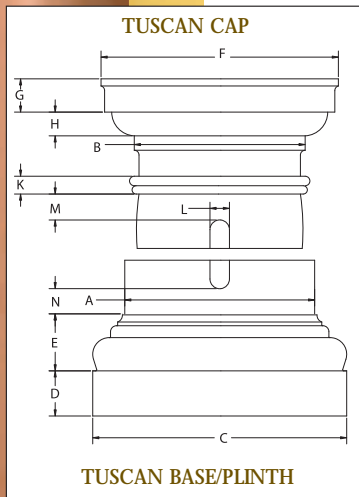
Red Oak

Hard Maple

Cherry

KEY FEATURES

- Round Column
- 6" x 8' - 12" x 12'
- Economical Price
- Interior Use Only
- Straight Taper
- Colonial Style Bead
- Plain or Fluted Shaft
- Load Bearing
- Available in Red Oak, Hard Maple, Mahogany and Cherry
- One Year Limited Warranty



Dixie-Pacific's Stain Grade Stock Wood Column Series is available in four different wood species (Red Oak, Hard Maple, Mahogany and Cherry) and four diameters (6", 8", 10" and 12"). Made for interior use only, our Stain Grade Stock Wood Column Series exemplifies our commitment to a higher standard in craftsmanship, quality and value.

Our Stain Grade Stock Wood Column Series has a straight taper and colonial style bead, closely resembling our Colonial style column, except it has a modified Tuscan cap and base/plinth design.

Experience the richness of our Stain Grade Stock Wood Column Series and enjoy a lasting impression of beauty and durability.

STAIN GRADE STOCK COLUMN, CAP & BASE/PLINTH DIMENSIONS

Col Dia. (inches)	Bottom Dia. (inches)	Top Dia. (inches)	Plinth		Base Mold E	Square Cap		Round Cap H	Colonial Bead K	Flute Dia L	Top Flute M	Bottom Flute N	Load Bearing Capacity (lbs.)
			C	D		F	G						
6	5 1/2	4 3/4	7 1/2	1 3/16	1 3/16	7 1/4	1 3/16	1 3/16	1 3/8	3/4	3 1/2	10 3/4	4,000
8	7 1/4	6 1/4	8 1/2	1 3/16	1 3/16	8 3/8	1 3/16	1 3/16	1 3/8	13/16	3 1/2	10 3/4	6,000
10	9 1/4	8	10 7/8	1 3/16	1 3/16	10 1/4	1 3/16	1 3/16	1 3/8	13/16	3 1/2	10 3/4	7,000
12	11 1/4	9 1/4	12 1/2	1 3/16	1 3/16	10 7/8	1 3/16	1 3/16	1 3/8	13/16	3 1/2	10 3/4	8,000

Notes: • The overall length of our Stain Grade Wood Column includes the Tuscan Cap, Shaft and Tuscan Base/Plinth.
 • Allowable wood stress in compression parallel to grain is 800 PSI.
 • Allowable loads are axial loads with no moments.
 • Load bearing capacity is dependant on the concentric loading of the columns.

COLUMNS TO SURROUND STRUCTURAL SUPPORTS

Bottom Diameter (inches)	Inside Top Diameter (inches)	Largest Round Support (inches)	Largest Square Support (inches)
6	2 3/4	2 1/4	N/A
8	3 3/4	3 1/2	N/A
10	5 1/2	5	3 1/2
12	6 3/4	6 1/2	4 1/2

Note: • These dimensions allow for saw kerf as columns are split.
 • Split columns are non-load bearing.

