

# Niches

Focal Point niches embrace elegance. These beautiful bays transform walls into “wow” and highlight artwork.

For a complete niche measurement guide see p. 42.



Product featured at right:

A. Bellemeade Niche  
License Number 91410

# NICHES



**Gainsborough**

	W	H
<b>91000</b>	27 1/4"	56"
<b>91350</b>	32 7/8"	58 1/2"



**Waverly II**

	W	H	
<b>91630</b>	22 3/4"	43 3/8"	UPS
<b>91770*</b>	16 3/4"	36 1/2"	UPS Pro



**Sonoma**

	W	H	
<b>91590*</b>	16 7/8"	36"	UPS Pro
<b>91840</b>	29 3/4"	56 3/4"	

# Niches



**Monterey**  
**91520\*** | **W** 16 7/8" | **H** 36" | **UPS**



**Regency**  
**91200** | **W** 27 1/4" | **H** 56"  
**91300** | **W** 32 7/8" | **H** 58 1/2"



**Bellemeade**  
**91410** | **W** 15 5/8" | **H** 29 5/8" | **UPS**

\*THESE  
 NICHEs FIT  
 STANDARD 2X4  
 CONSTRUCTION



**Waverly**  
**91790\*** | **W** 16 3/4" | **H** 36 1/2" | **Pro UPS**

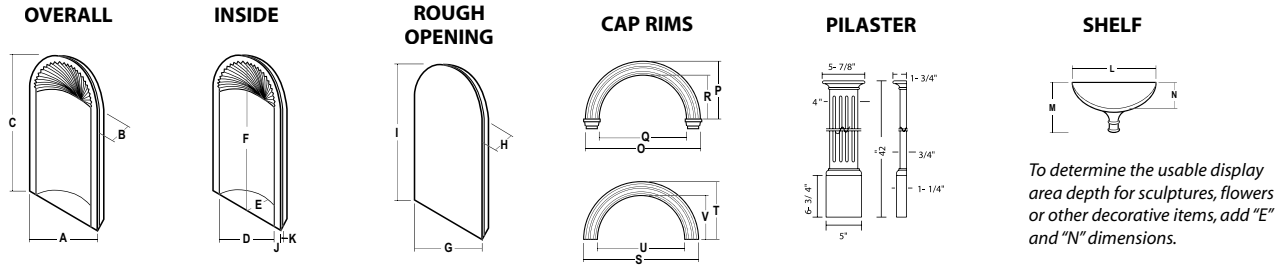


**Chatham**  
**91240** | **W** 29 3/4" | **H** 57 1/8"



**Anthemion**  
**94030\*** | **W** 14" | **H** 21 5/8" | **UPS**  
 Surface mount/One piece design

# Niche Measuring Guide

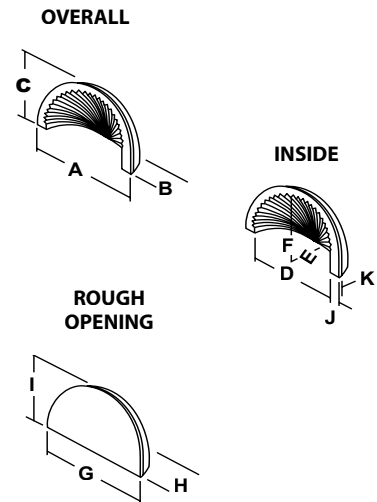


	91000	91350	91200	91300	91240	91630	91770*	91790*	91410	91590*	91840	91520*	94030*
<b>A</b>	27 1/4"	32 7/8"	27 1/4"	32 7/8"	29 3/4"	22 3/4"	16 3/4"	16 3/4"	15 5/8"	16 7/8"	29 3/4"	16 7/8"	14"
<b>B</b>	9"	9 7/8"	9"	9 7/8"	10"	7 5/8"	4"	4"	6 3/4"	5"	8 1/4"	5"	4 3/8"
<b>C</b>	56"	58 1/2"	56"	58 1/2"	57 1/8"	43 3/8"	36 1/2"	36 1/2"	29 5/8"	36"	56 3/4"	36"	21 5/8"
<b>D</b>	25 1/2"	31"	25 1/2"	31"	24"	17 3/4"	12 3/4"	12 3/4"	10 1/2"	13"	25 1/4"	13"	9 7/8"
<b>E</b>	7 3/4"	9"	7 3/4"	9"	7 3/4"	6 5/16"	3 1/2"	3 1/2"	5"	3 1/2"	7 5/8"	3 1/2"	1 1/4"
<b>F</b>	53 5/8"	56 1/2"	53 5/8"	56 1/2"	53 5/8"	39 13/16"	34 1/4"	34 1/4"	25 13/16"	33 5/16"	53 3/4"	33 5/16"	15 1/2"
<b>G</b>	28"	33 1/2"	28"	33 1/2"	28"	21 3/8"	14 1/2"	14 1/2"	12 1/2"	14 1/2"	28"	14 1/2"	-
<b>H</b>	9 1/4"	10 1/2"	9 1/4"	10 1/2"	9 1/4"	7 1/4"	4"	4"	6"	4"	9 1/4"	4"	-
<b>I</b>	56 1/2"	59 1/2"	56 1/2"	59 1/2"	56"	42 1/2"	35 1/2"	35 1/2"	28 1/4"	35"	56"	35"	-
<b>J</b>	5 7/8"	5 7/8"	5 7/8"	5 7/8"	2"	2 3/8"	1 7/8"	1 7/8"	2 5/16"	1 3/4"	2"	1 3/4"	1 5/16"
<b>K</b>	1 3/4"	1 3/4"	1 3/4"	1 3/4"	7/8"	9/16"	5/8"	5/8"	13/16"	1"	1 1/4"	1"	2"
<b>L</b>	34 3/4"	41"	34 3/4"	41"	31 5/16"	25 9/16"	18 1/4"	17 1/4"	16 5/8"	17 1/4"	31 5/16"	17 3/4"	13 3/8"
<b>M</b>	3 1/8"	3 1/4"	3 1/8"	3 1/4"	3 1/8"	8 7/8"	6 1/4"	3 1/8"	6"	3 1/8"	3 1/8"	3 1/8"	4 7/8"
<b>N</b>	3 1/8"	3 1/8"	3 1/8"	3 1/8"	3 1/8"	7 1/2"	5 1/4"	3 1/8"	6 1/8"	3 1/8"	3 1/8"	3 1/8"	2 1/8"
<b>O</b>	-	-	33 1/2"	39"	-	-	-	-	-	-	-	-	-
<b>P</b>	-	-	16 7/8"	21"	-	-	-	-	-	-	-	-	-
<b>Q</b>	-	-	24 1/8"	29 3/4"	-	-	-	-	-	-	-	-	-
<b>R</b>	-	-	13 3/8"	17 1/2"	-	-	-	-	-	-	-	-	-
<b>S</b>	32 1/4"	39 1/4"	-	-	-	-	-	-	-	-	-	-	-
<b>T</b>	8 1/8"	12 5/16"	-	-	-	-	-	-	-	-	-	-	-
<b>U</b>	25 1/4"	31"	-	-	-	-	-	-	-	-	-	-	-
<b>V</b>	11 5/8"	15 7/8"	-	-	-	-	-	-	-	-	-	-	-

\* Fits standard 2x4 construction

## Niche Cap Measuring Guide

		Osborne 91004	Osborne 91005	Osborne 91006	Geneva 91001	Geneva 91002	Geneva 91003
<b>OVERALL</b>	<b>A</b>	42 1/2"	29 3/4"	37 3/16"	42 1/2"	29 3/4"	37 3/16"
	<b>B</b>	17"	10"	12"	17"	10"	12"
	<b>C</b>	23 1/2"	16 1/8"	18 1/4"	23 1/2"	16 1/8"	18 1/4"
<b>INSIDE</b>	<b>D</b>	36"	24"	28 3/4"	36"	24"	28 3/4"
	<b>E</b>	14 3/4"	8 1/2"	10"	14 3/4"	8 1/2"	10"
	<b>F</b>	20 1/4"	13"	14 3/8"	20 1/4"	13"	14 3/8"
<b>ROUGH OPENING</b>	<b>G</b>	40"	28"	34"	40"	28"	34"
	<b>H</b>	16 1/2"	9 1/4"	11"	16 1/2"	9 1/4"	11"
	<b>I</b>	22 1/4"	15 1/2"	17 1/2"	22 1/4"	15 1/2"	17 1/2"
<b>Wood Casing</b>		n/a	n/a	n/a	<b>91110</b>	<b>91220</b>	<b>91110</b>
<b>Pilaster</b>		60" – included in kit			n/a	n/a	n/a



# A Cut Above the Ordinary

The design of our shell niche caps allow you to create custom bookcases or built-in shelves.

*Product featured at right:*  
A. Osborne Shell Niche Cap  
License Number 91004



**Please note:** Focal Point does not supply curved backing. Curved plywood must be purchased separately to create this effect.

## NICHE CAPS

### Geneva Niche Cap

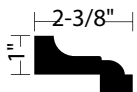
91001 | 91002 | 91003

### Osborne Niche Kit

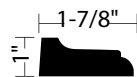
91004 | 91005 | 91006



#### CASINGS



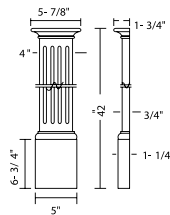
No. 91110  
(use with 91001, 91003 niche cap)



No. 91220  
(use with 91002 niche cap)

Available in three sizes, the cap is separated from the casing by plinths, and curved plywood used for the backing. Installed with Wood Casings 91110 or 91220 (sold separately), the overall niche can be any height, and made to fit your application.

#### PILASTER



Each kit contains a niche cap, rim, two pilasters and shelf bracket. Installed with Fluted Pilasters 92260 (Sold with kit). The backing is created using curved plywood or tempered hardboard cut to the desired size.

For a complete niche measurement guide see p. 42.