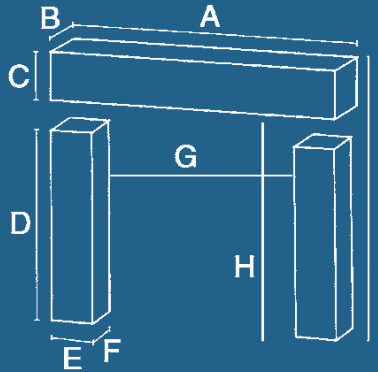


Measurements are approximate



H100
3 piece set

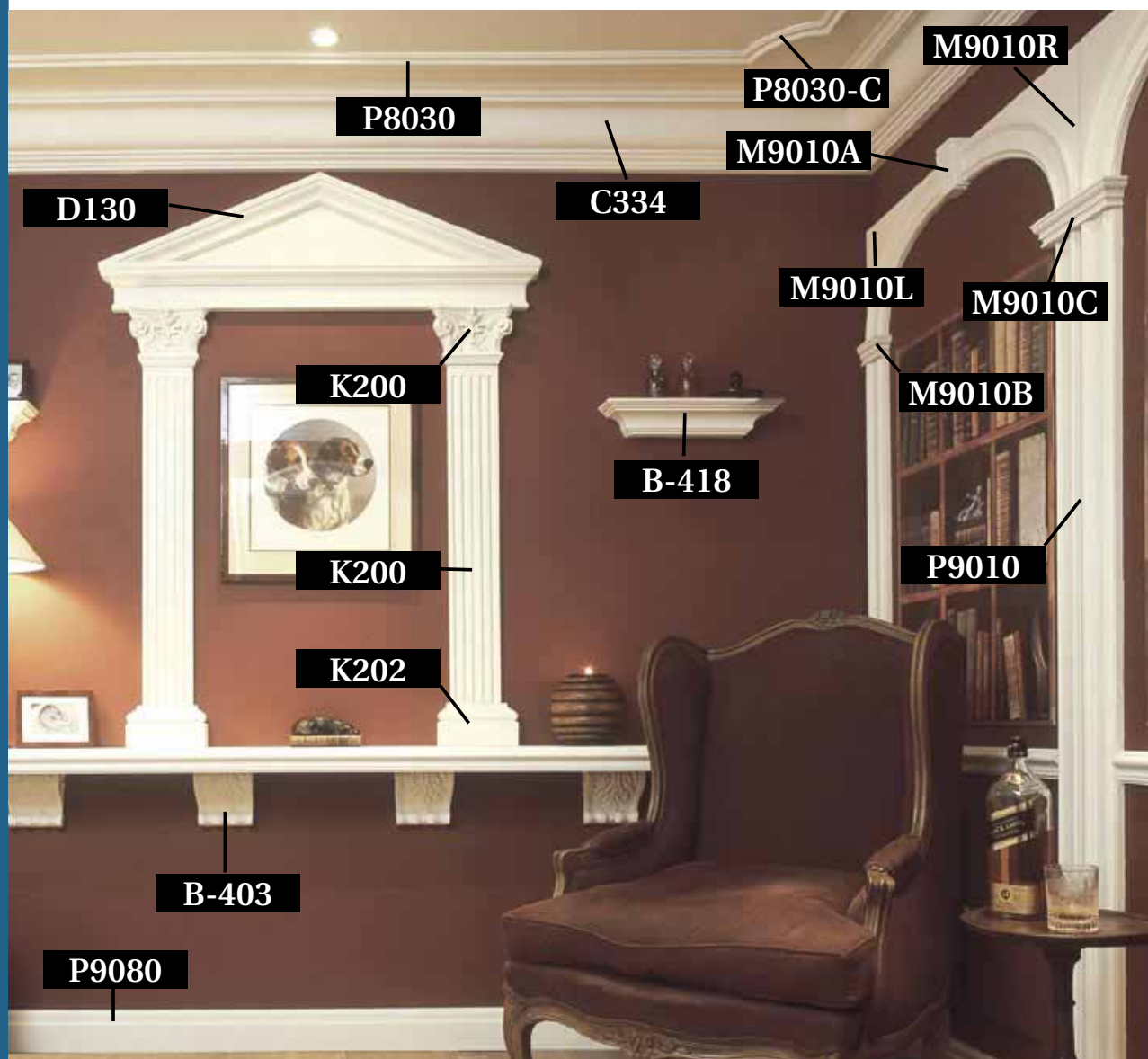


H101
3 piece set

PART #	A	B	C	D	E	F	G	H	I
H100	51"	8-1/16"	12-3/16"	34-7/16"	7-7/8"	6-7/8"	34-5/8"	33-1/16"	45-1/16"
H101	50-3/4"	7-7/8"	9-7/16"	33-7/8"	5-7/8"	6-11/16"	35-1/4"	33-7/8"	43-5/16"



The mantel pieces are only decorative elements.
They can only be used with electrical fire elements (max. 2-3 kilowatts).



D130

P8030

C334

M9010A

M9010R

P8030-C

M9010L

M9010C

K200

M9010B

B-418

K200

P9010

K202

B-403

P9080