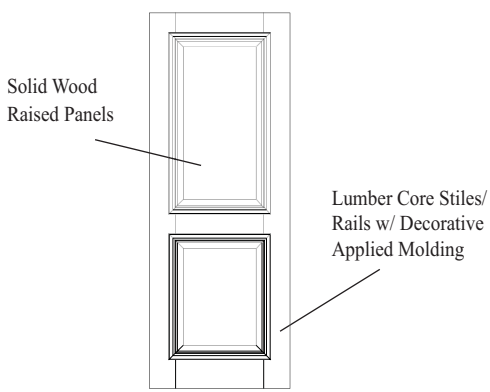
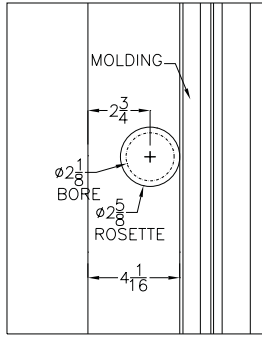


"Hampstead" Raised Panel Doors

"Hampstead" Interior Doors (with applied molding)



OPTIONS AVAILABILITY

	1 3/8"	1 3/4" A	1 3/4" B
Woods	*Red Oak, Poplar, Cherry, Maple, Knotty Alder		
Arch Options	N/A	N/A	N/A
Profile	Cove/Bead	Cove/Bead	Cove/Bead

*Other wood species are available on a quote basis.
 "French" doors are available with "Hampstead" applied molding on a custom quote basis.

HAMPSTEAD: The "Hampstead" collection includes a series of door styles that are constructed with solid wood raised panels, a decorative applied molding and lumber core stiles/rails. Hampstead doors are available in both 1 3/8" and 1 3/4" thicknesses. 1 3/4" thick doors can be ordered as 'A' Series (3/4" thick panels) or as 'B' Series (1 1/8" thick panels). Passage and Double doors have decorative molding applied to both sides of the door. Bi-Fold units have molding applied to the front (face) side only. **Pocket and By-Pass doors are not available** because the applied molding can cause interference with the operation of the door.

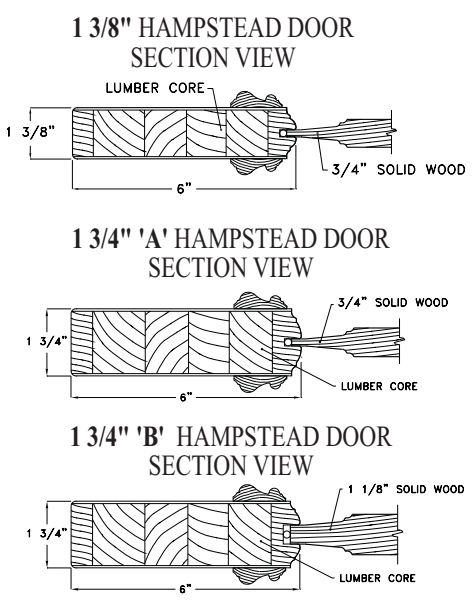
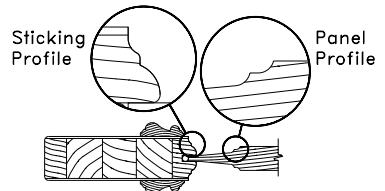
ARCH OPTIONS

Hampstead doors are available with an arch on a quote basis only.

PROFILE OPTIONS

A Profile Option designates the decorative profile of the "sticking" (inside edge of the stile/rail) and the raised panel. The Hampstead door style is available with a Cove and Bead profile.

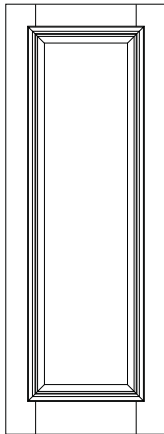
"COVE & BEAD" PROFILE



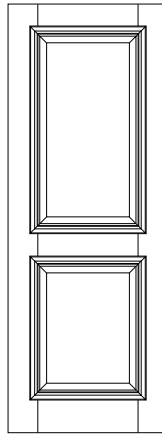
"Hampstead" Raised Panel Doors

HAMPSTEAD INTERIOR DOORS

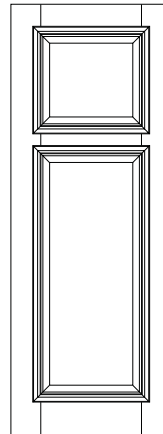
H1-10



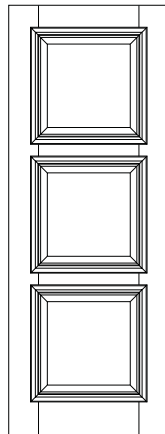
H2-10



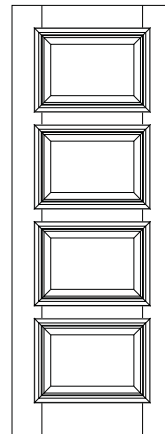
H2-11



H3-10



H4-12



Always refer to the Jamb Availability chart on page 11 for available jamb options.

For Finish, Hinge, Door Profile and Arch Option availabilities, see the General Information section.

See pages 82-83 for sizing diagrams.

STANDARD SIZES (Nominal)

Door Heights: 6/8, 7/0, 8/0

Passage Doors: 1/4, 1/6, 1/8, 1/10, 2/0, 2/2, 2/4, 2/6, 2/8, 2/10, 3/0

Double Doors: 2/8, 3/0, 4/0, 4/8, 5/0, 5/4, 6/0

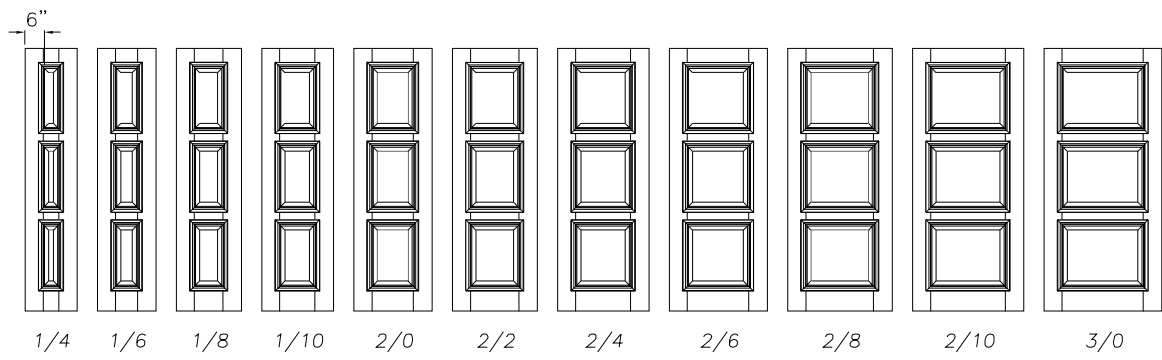
Bi-Fold Doors: 2/6, 3/0, 5/0, 6/0

Custom sizes available upon request.

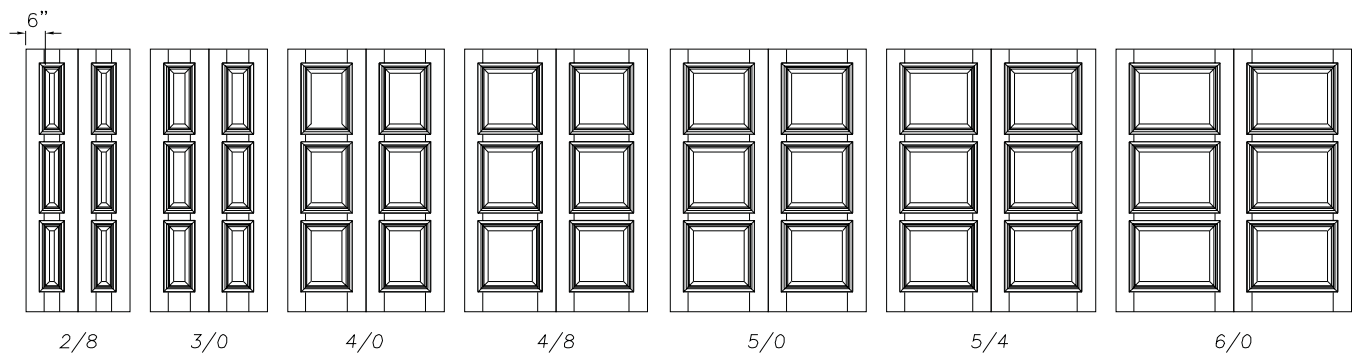
"Hampstead" Raised Panel Doors

"HAMPSTEAD" DOOR SIZING DIAGRAMS

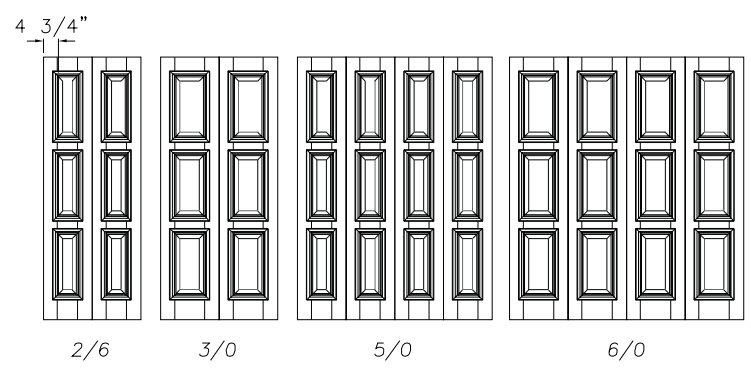
HAMPSTEAD (H3-10) PASSAGE DOORS



HAMPSTEAD (H3-10) DOUBLE DOORS



HAMPSTEAD (H3-10) BI-FOLD DOORS

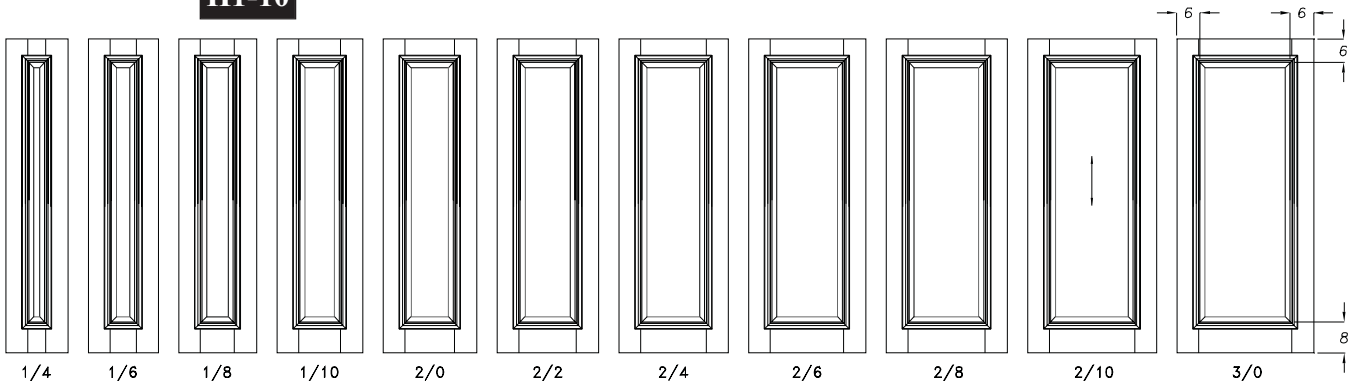


"Hampstead" Raised Panel Doors

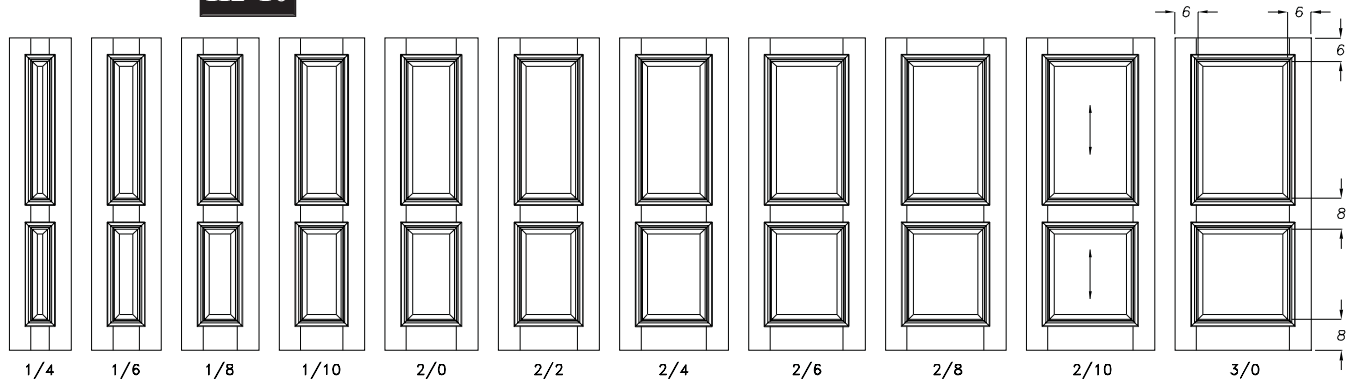
"HAMPSTEAD" DOOR SIZING DIAGRAMS

ARROWS INDICATE GRAIN DIRECTION ON HAMPSTEAD DOORS.

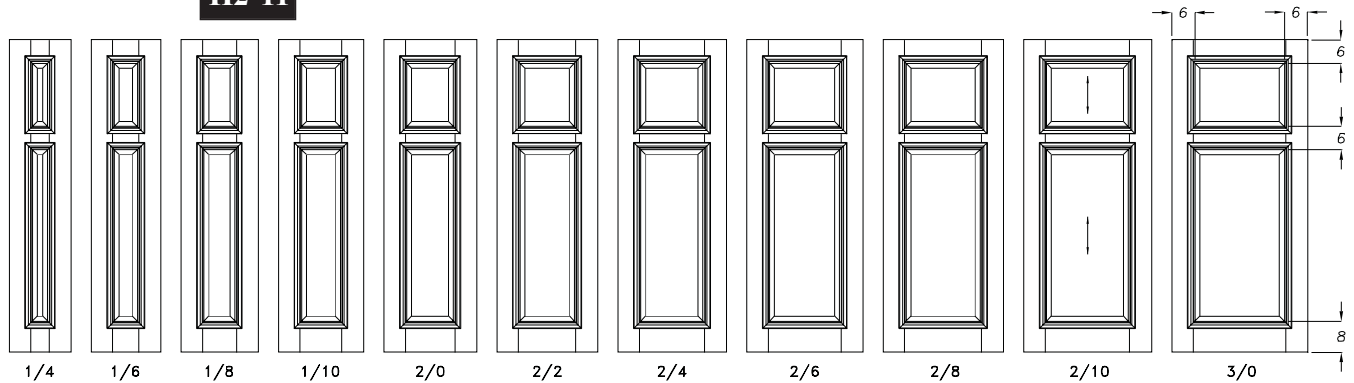
H1-10



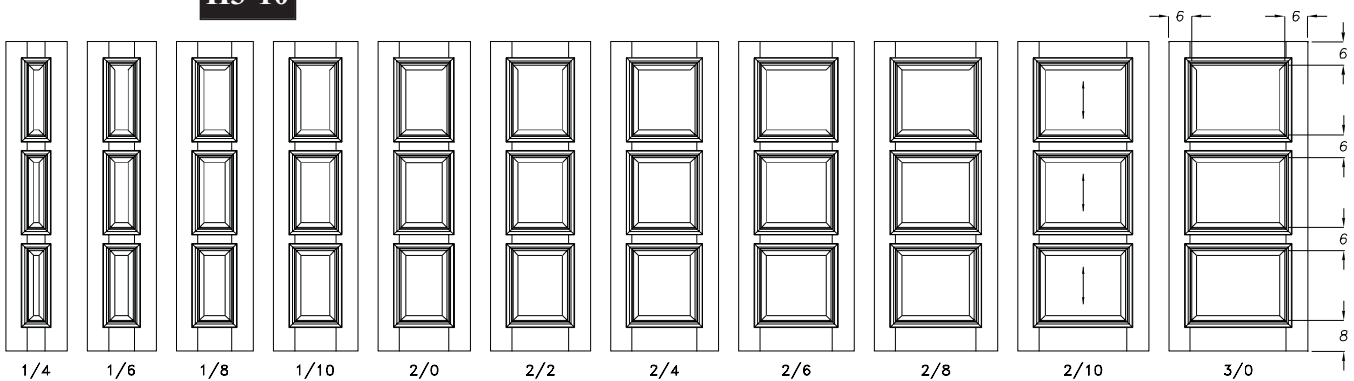
H2-10



H2-11



H3-10



"Hampstead" Raised Panel Doors

"HAMPSTEAD" DOOR SIZING DIAGRAMS

H4-12

