

BALUSTRADE COLLECTION



The Hartmann-Sanders Balustrade Collection is designed for a lifetime of enjoyment. Whether it is a restoration or a classic addition, the Hartmann-Sanders Balustrade Collection will provide a long lasting impression. Precise details include the fine curved shape of each baluster style, the detail and proportion of each newel, and the superior surface texture of the hand rails. The strength, durability and beauty are what make this collection a masterpiece.

The Balustrade Collection is crafted using an advanced fiberglass reinforced manufacturing process which offers a unique combination of strength, beauty, and versatility. This collection is waterproof, impervious to insect infestation and is easily maintained. It is backed by our Limited Lifetime Warranty.

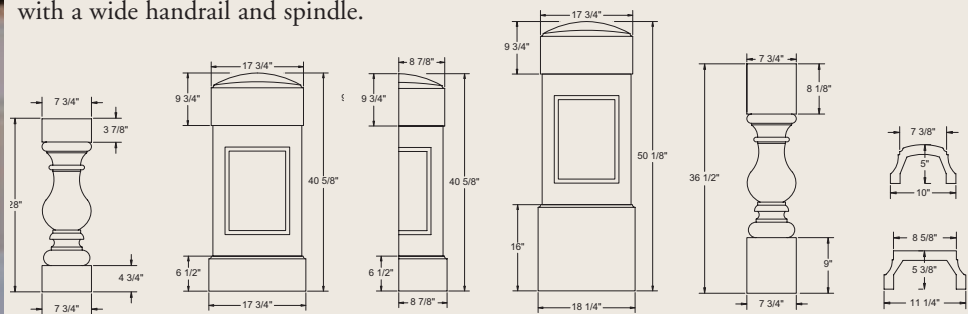
With a variety of styles to choose from, the details of this collection come together for a look and feel that can only be achieved by Hartmann-

Sanders. Our Balustrade Collection will enhance the style of your home or business for years.

Buckingham Balustrade System



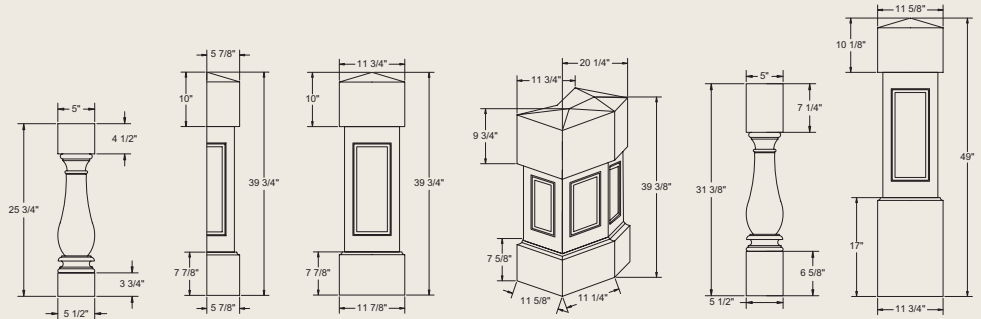
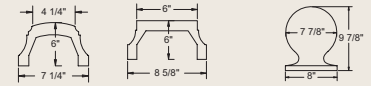
A bold and substantial balustrade system with a wide handrail and spindle.



Westminster Balustrade System



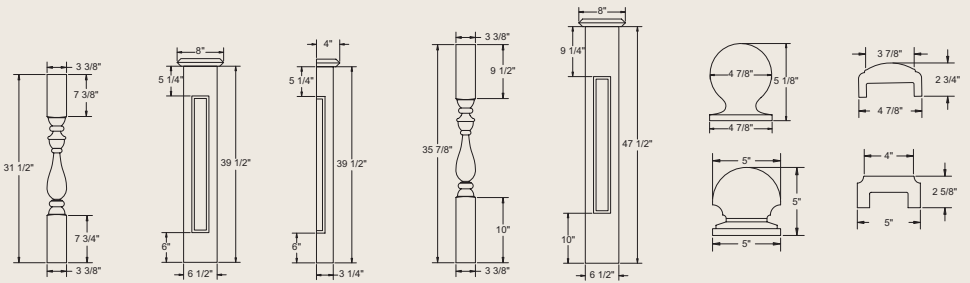
A strong and elegant balustrade system with a medium-sized, beautifully curved spindle.



Churchill Balustrade System



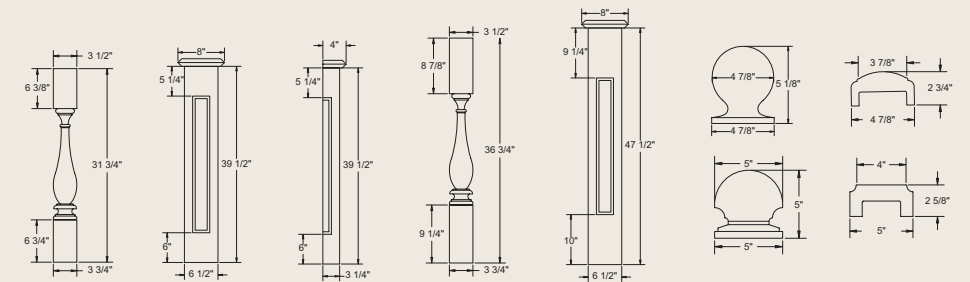
An elegant and practical balustrade system with a Colonial-inspired spindle.



Lexington Balustrade Collection



A simple and stylish balustrade system with elegantly curved spindles.



Savannah Balustrade System



A sleek and contemporary balustrade system with slightly curved spindles.

